



Installation Instructions CB22

09|2009 v.2.2

Ordering Information:

The CoolBalance CB22 is a surface mount cable seal. As such it will seal any openings smaller than the model designation. A CB22-0609 can be used to seal any opening smaller than 6" x 9". Edge protection for rough cutout edges would have to be addressed separately.

Use floor manufacturer's recommendation on cutting limitations and cutting tools. Design load capacity of the tile imposes limitations on the size and location of the cutout or may require additional supports. Consult the manufacturer's manuals.

Model Numbering System:

CB22-xyxy where xx = depth (inches), yy = width (inches)

CB22-0609 = 6 inches by 9 inches

CB22-0810 = 8 inches by 10 inches

Kit Includes:

CB22-xyxy assembled with brush, sides, and corners
(4) #8 self-tapping screws, black

Tools Required:

- Floor cutting tools (new installation)
- Drill with Phillips bit
- Optional cleaner
- Optional double-sided tape

New Installation & Preparation (cables not run):

1. Make sure there are no sharp burrs on the top of the cutout.
2. Clean around the top edges of the cutout.
3. Place the seal over the cutout to insure proper fit.
4. Seal should sit flat with the cutout completely covered.
5. If double-sided tape will be used, remove the seal, attach tape to the underside of the CB22 and replace over the cutout.
6. Fasten securely using the (4) self-tapping screws (optional with double-sided tape).
7. Do not over-torque the screws.

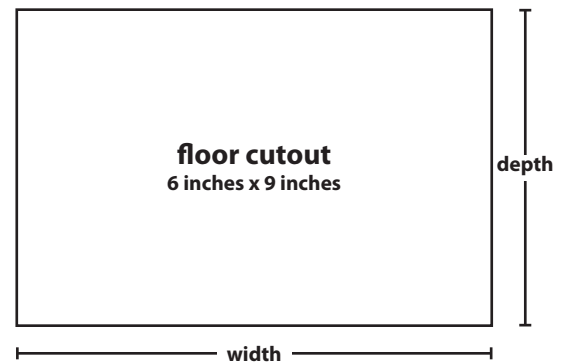


diagram 1

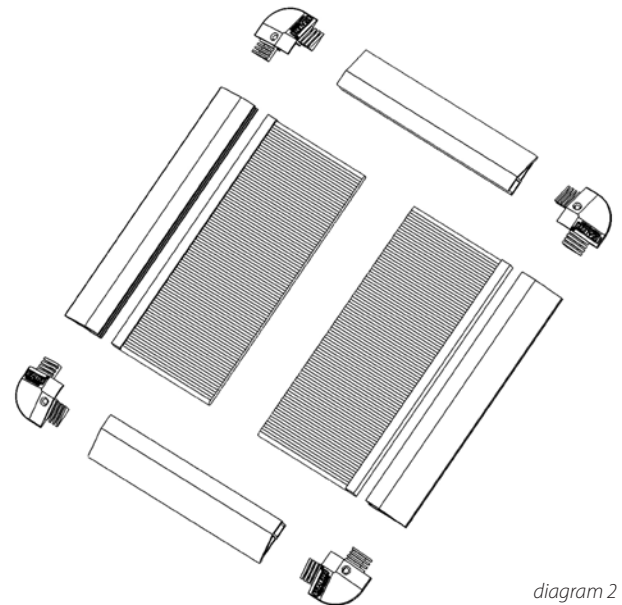


diagram 2

Installation with Existing Cables in Place:

1. Make sure there are no sharp burrs on the top of the cutout.
2. Clean around the top edges of the cutout.
3. Carefully remove one end of the seal frame (see diagram 3).
4. Place the seal around the cables and re-insert the end portion.
5. Place the seal over the cutout around the existing cables to insure proper fit.
6. Seal should sit flat with the cutout completely covered.
7. If double-sided tape will be used, lift the seal, attach tape to the underside of the CB22 and replace over the cutout.
8. Fasten securely using the (4) self-taping screws (optional with double-sided tape).
9. Do not over-torque the screws.

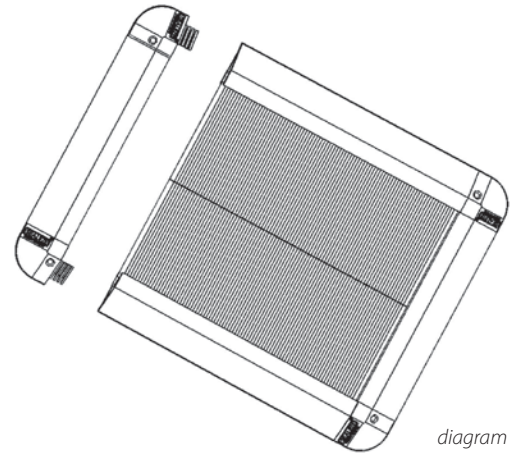


diagram 3

Effective Installation - Best Practices:

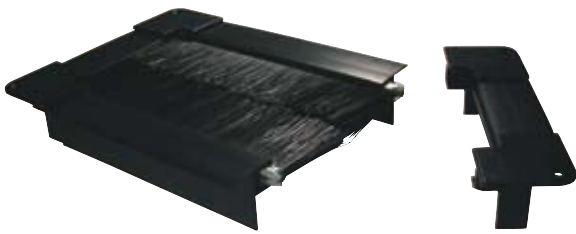
The purpose of the seal is to prevent the loss of cool air through the cutout. While the CB22 is an effective seal, there are steps the installer can take to improve the effectiveness of the seal. Where possible, bundle like cables using cable tie wraps. This keeps the gaps to a minimum.

Customer Support:

For assistance, please contact us at: **800.787.7325** M-F 8-5 EST
Or email us: **coolbalance@sealeze.com**

CoolBalance offers a range of products for data center energy efficiency.

CB11 | In-Floor Seal



Construction: In-floor flush mounting with removable end for mounting around existing cables. Built in edge protection from rough edge cuts.

High impact ABS

Hole Sizes: from 5" x 5" to 10" x 24"

CB33 | Circle Seal



Construction: 1 Piece molded holder, optional edge protector, optional split ring for mounting around existing cables.

High impact ABS

Hole Sizes: 4.5" – CB33-04

6.75" – CB33-06



800.787.7325

8000 Whitepine Road | Richmond, VA 23237 | www.sealeze.com

